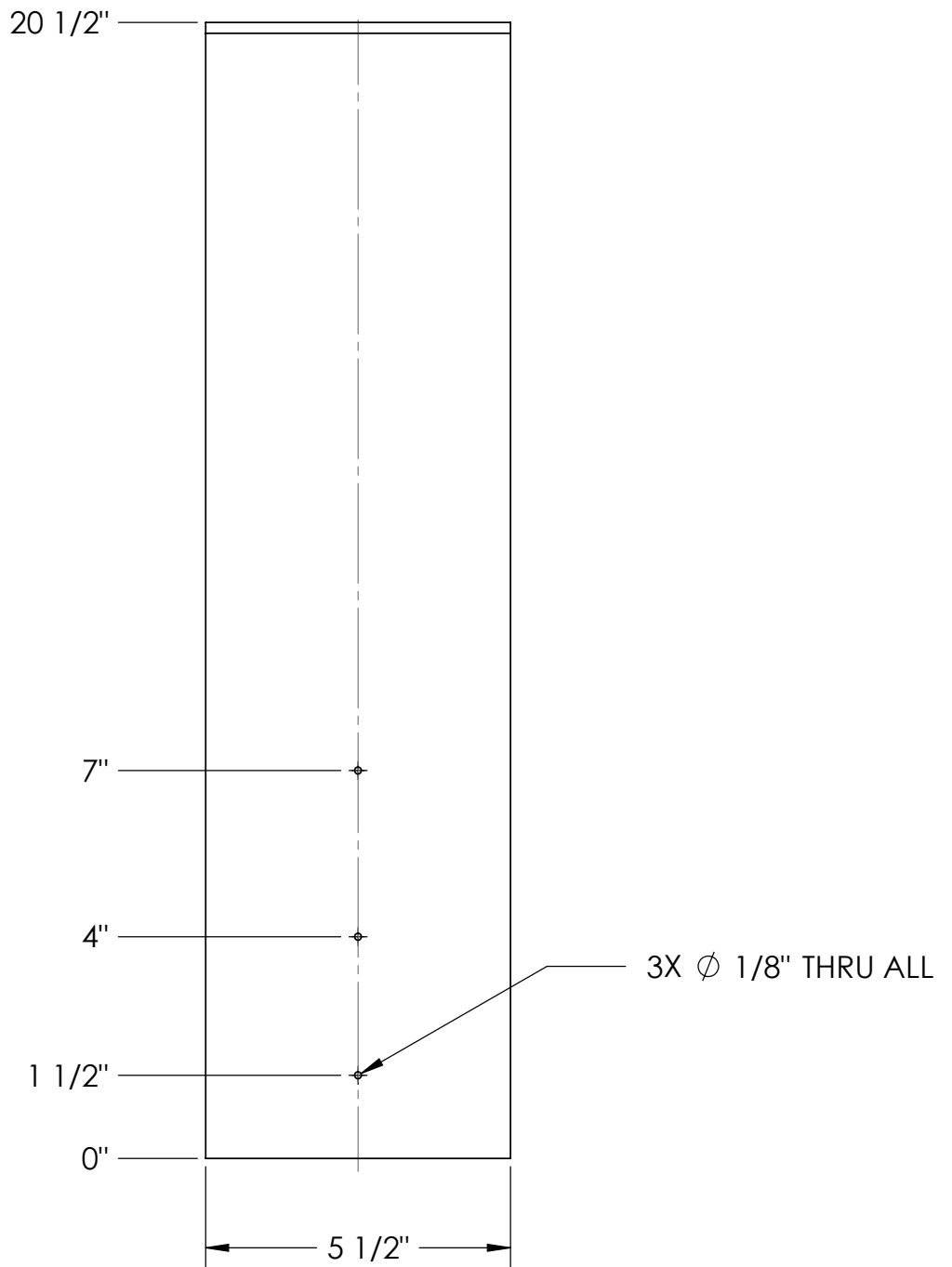
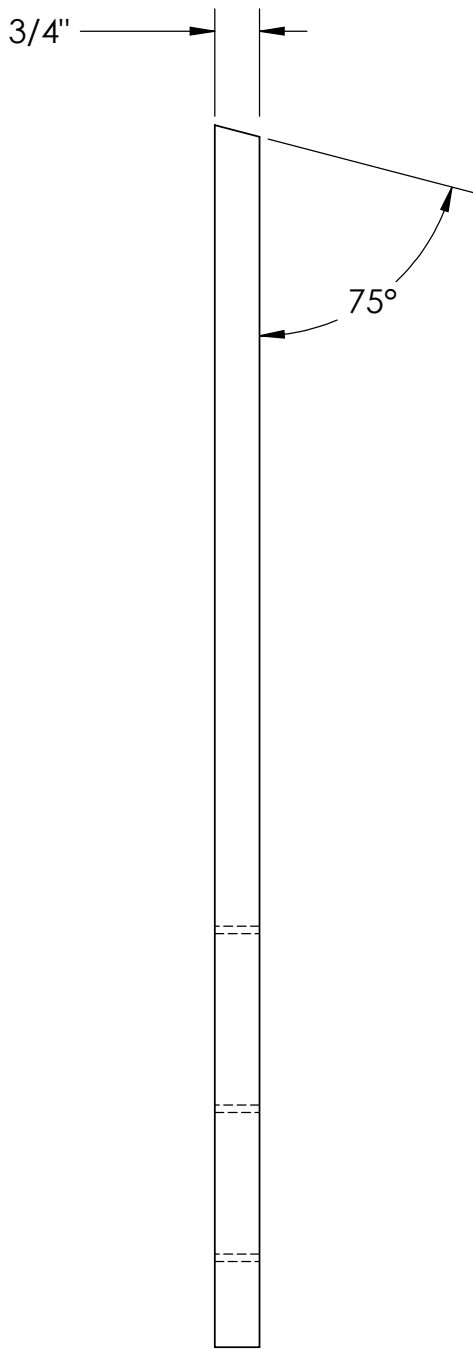
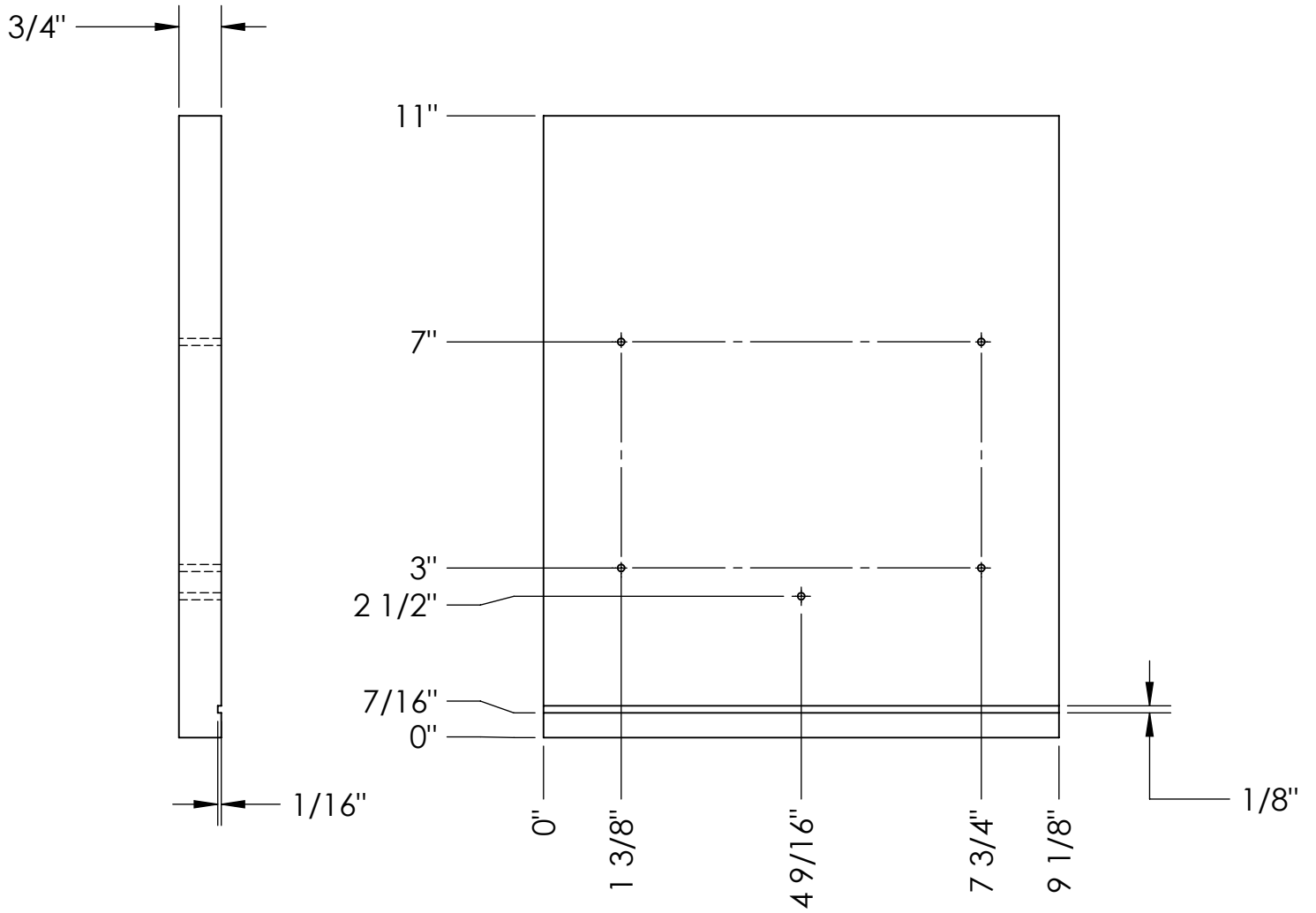


**FRONT DETAIL**  
 5 1/2" X 3/4" X 10" PINE  
 (1" X 6" DIMENSIONAL LUMBER)

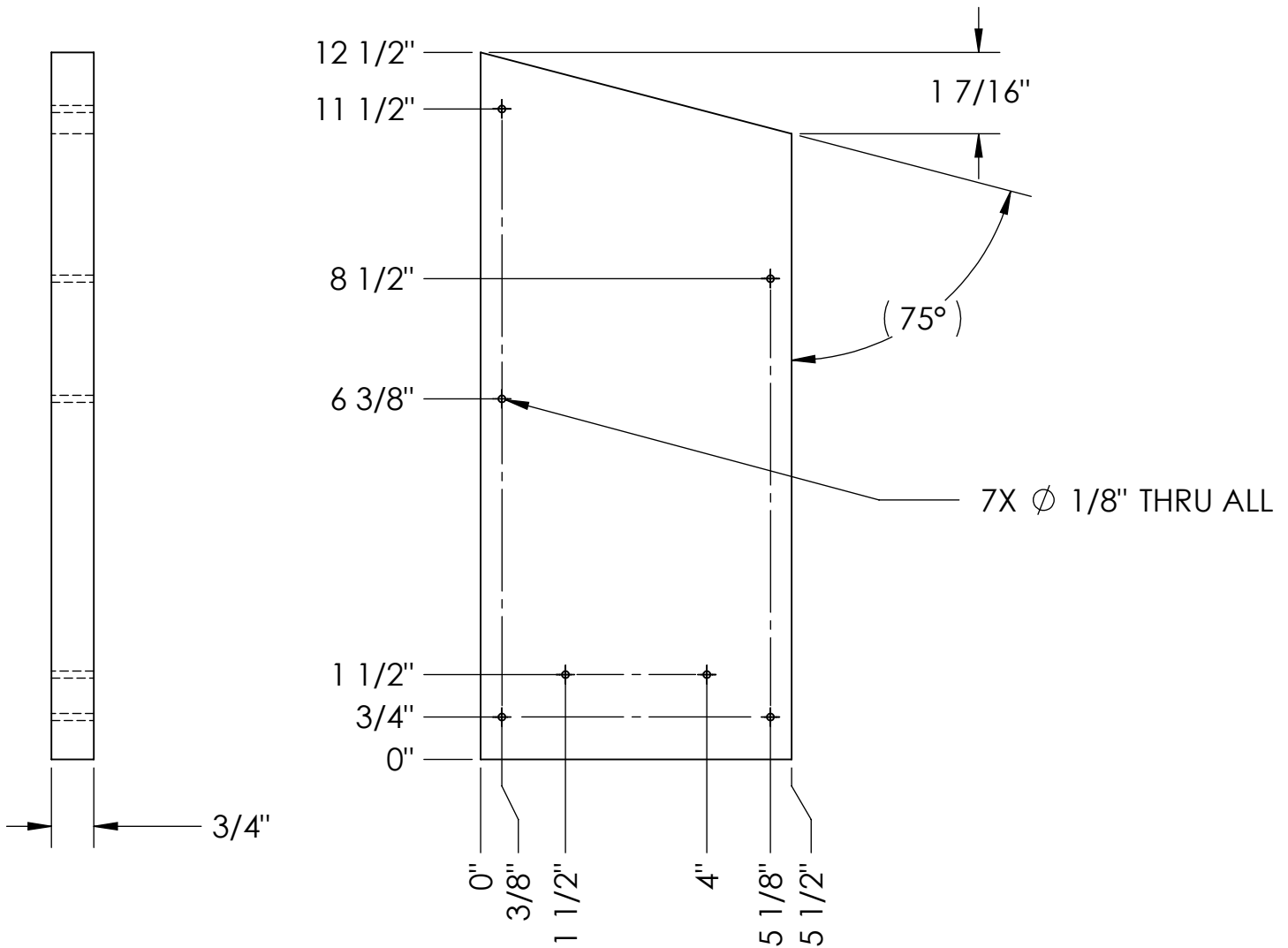


## MOUNT DETAIL

5 1/2" X 3/4" X 20 1/2" PINE  
(1" X 6" DIMENSIONAL LUMBER)

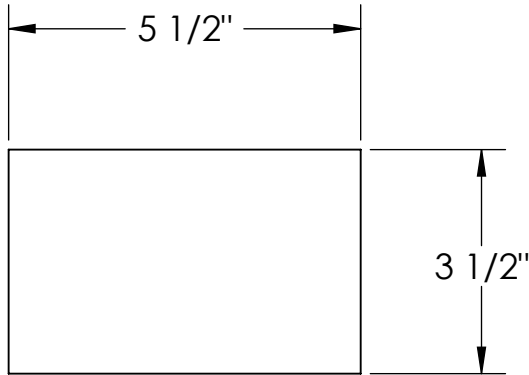
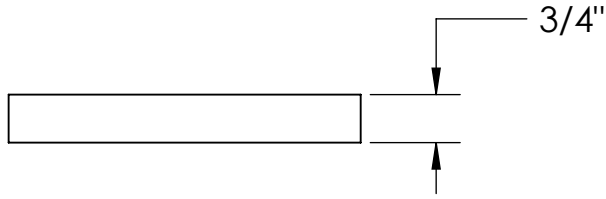


**ROOF DETAIL**  
 9 1/8" X 3/4" X 11" PINE  
 (1" X 10" DIMENSIONAL LUMBER)



## SIDE DETAIL

5 1/2" X 3/4" X 12 1/2" PINE  
 (1" X 6" DIMENSIONAL LUMBER)  
 2 PIECES REQUIRED



# FLOOR DETAIL

5 1/2" X 3/4" X 3 1/2" PINE  
(1" X 6" DIMENSIONAL LUMBER)

DRAWN S BUKOWSKY		DATE 4/26/2012		<b>MENUNKATUCK AUDUBON SOCIETY</b> P.O. BOX #214 GUILFORD CT, 06437 DESIGN BY JOHN PICARD				
Unless otherwise specified Dimensions are in: <b>Inch</b> Tolerances: Fractional = ±1/16 Angles = ±1°							<b>TREE SWALLOW HOUSE</b>	
NOTES				SIZE D	SCALE 1:3	DWG. NO. 040212-01		